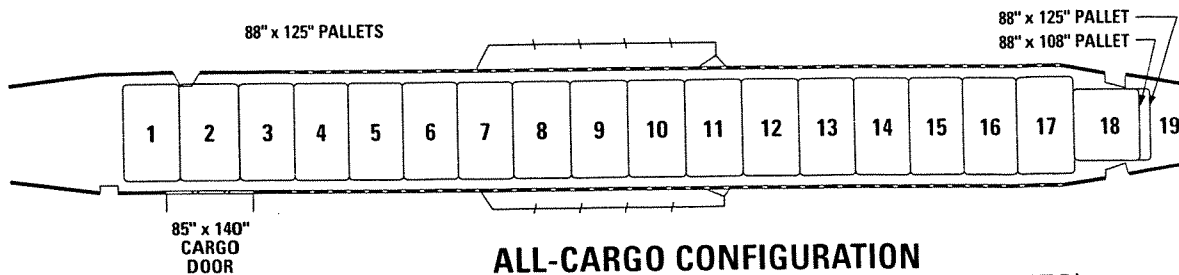
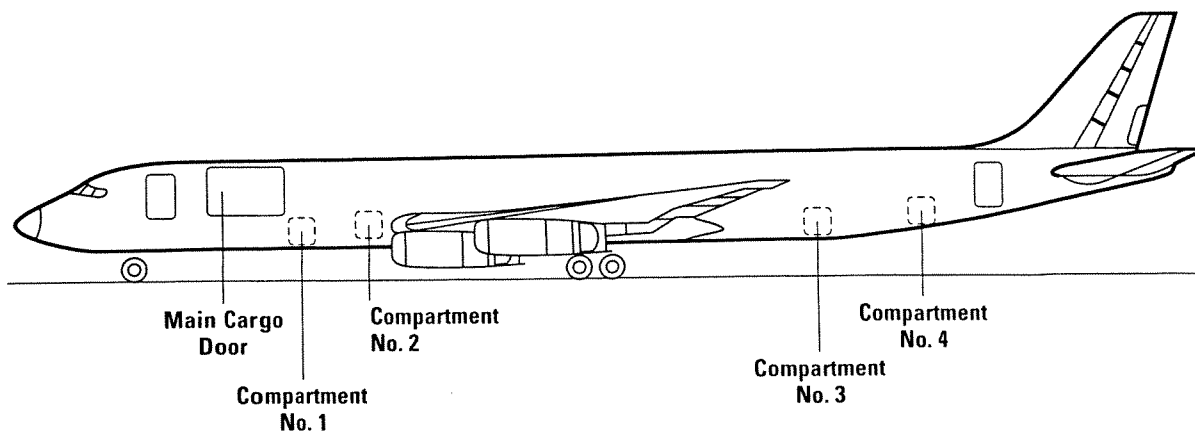
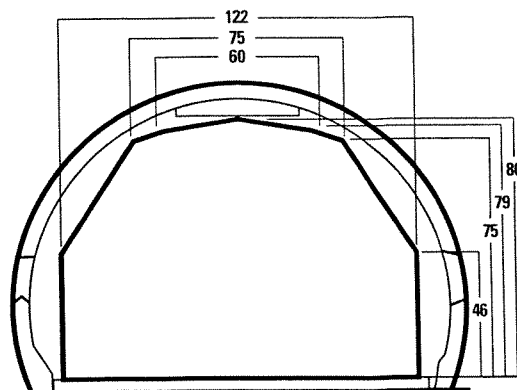
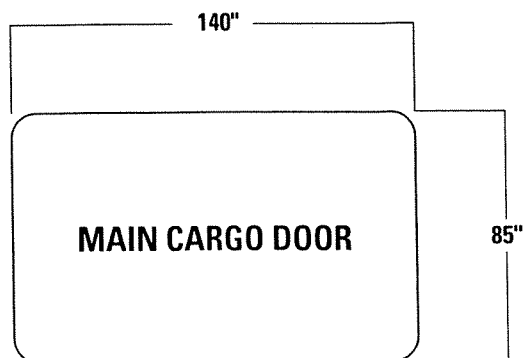
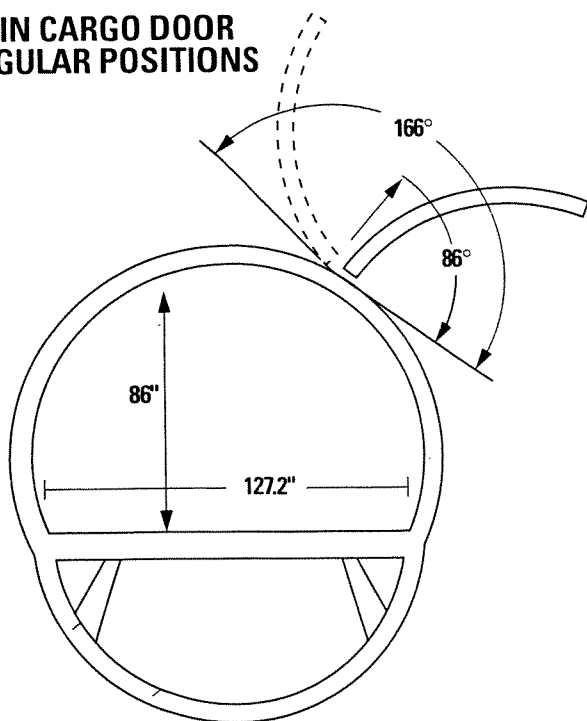


# McDonnell Douglas DC-8-63/73CF Series

## AIRCRAFT SPECIFICATIONS

**MAIN CARGO DOOR  
ANGULAR POSITIONS**



**ALL-CARGO CONFIGURATION  
18 PALLET POSITIONS (19 CARGO COMPARTMENTS)**